



MORO USA, INC

ST. LOUIS, MO OFFICE

PO Box 424

Union, MO 63084

(866) 383-6304

Fax: (636) 583-2044

PITTSBURGH, PA OFFICE

SALES OFFICE

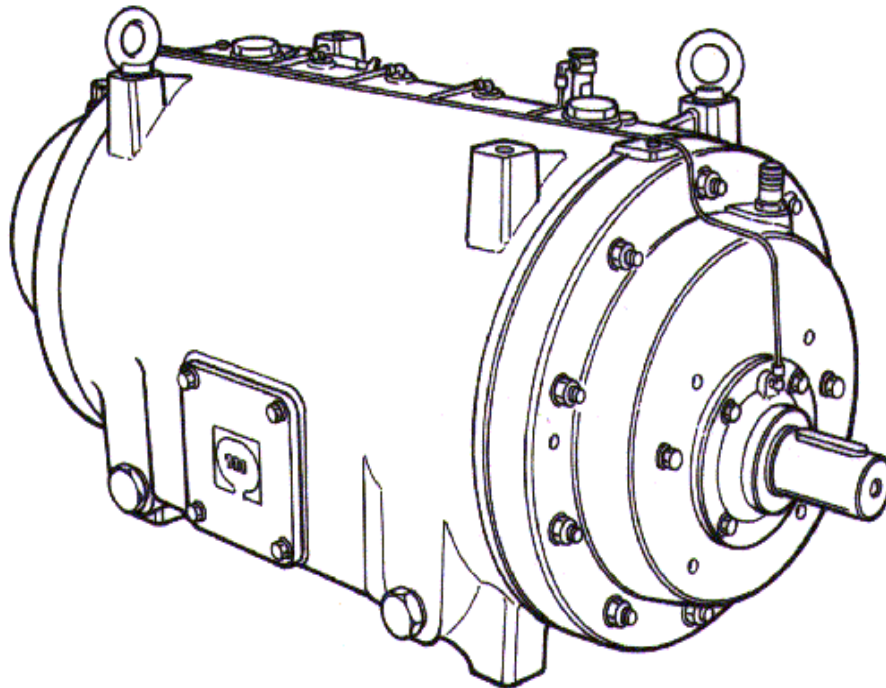
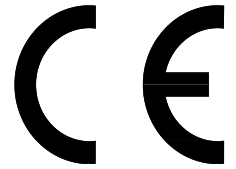
(800) 383-6304

(412) 787-8400

Fax: (412) 787-8444

Email: sales@morousa.com

www.morousa.com



HM46 VACUUM PUMP PARTS BREAKDOWN

2110-0284-0 SX
2110-0285-0 DX

HM46 VACUUM PUMP

MORO USA, INC

ST. LOUIS, MO OFFICE PITTSBURGH, PA OFFICE
 PO Box 424 SALES OFFICE
 Union, MO 63084 (800) 383-6304
 (866) 383-6304 (412) 787-8400
 Fax: (636) 583-2044 Fax: (412) 787-8444
 Email: sales@morousa.com
 www.morousa.com



Pos.	Q.tà	Codice	Denominazione	Nomenclature	Bezeichnung	Denomination
1	1	6.453300100-2	Oliatore	Graisiseur	Oeler	Oil valve
2	1	6.475300082-2	Rotore HM 46 dx	Rotor	Läufer	Rotor
2	1	6.475300092-2	Rotore HM 46 sx	Rotor	Läufer	Rotor
3	1	6.503000100-2	Maniglia pompa olio	Poignée	Griff	Handle
4						
5	1	6.610300180-2	Flangia	Flasque	Flansch	Flange
6	1	6.610401300-2	Flangia	Flasque	Flansch	Flange
7	2	6.610401320-2	Flangia	Flasque	Flansch	Flange
8						
9	2	6.622200721-2	Boccola	Bague	Buchse	Bushing
10	1	6.632001130-2	Staffa	Attache	Bügel	Bracket
11	1	6.644500000-2	Filtro olio	Filtre à huile	Ölfiter	Oil filter
12	6	6.657501120-1	Lamella	Palette	Lamelle	Vane
13	1	6.662400351-2	Corpo pompa	Corps de pompe	Pumpengehäuse	Pump Housing
14	1	6.663300420-2	Serbatoio olio	Réservoir d'huile	Ölbehälter	Oil tank
15	20	6.671002760-2	Prigioniero	Prisonnier	Stiftschraube	Stud
16						
17						
18	1	6.680600491-1	Guarnizione	Joint	Dichtung	Gasket
19	1	6.680600501-1	Guarnizione	Joint	Dichtung	Gasket
20	1	6.683001380-2	Rondella	Rondelle	Scheibe	Washer
21	4	6.683300060-2	Rondella	Rondelle	Scheibe	Washer
22						
23	1	6.822700070-2	Serie tubi lubrif. sx	Tuyaux de graissage	Einschmierungsrohr	Lubrication pipes
23	1	6.822700080-2	Serie tubi lubrif. dx	Tuyaux de graissage	Einschmierungsrohr	Lubrication pipes
24						
25						
26	4	6.921003509-2	Anello OR	Anneau OR	O-Ring	O-Ring
27	1	6.921003208-2	Anello OR	Anneau OR	O-Ring	O-Ring
28	1	6.921027056-2	Anello tenuta	Anneau détanchéité	Simmerring	Ring seal
29	4	6.921027060-2	Anello tenuta	Anneau Détanchéité	Simmerring	Ring seal
30	5	6.924061050-2	Raccordo	Raccord	Anschulung	Fitting
31	1	6.1012260-9-2	Raccordo	Raccord	Anschulung	Fitting
32	5	6.924063050-2	Raccordo	Raccord	Anschulung	Fitting
33	5	6.924017007-2	Raccordo	Raccord	Anschulung	Fitting
34	1	6.925002003-2	Curva	Coude	Winkel	Elbow
35	1	6.925005005-2	Tappo	Bouchon	Stöpsel	Plug
36	1	6.925046004-2	Portagomma	Porte-tuyau	Schlauchanschluss	Hose fitting
37	4	6.925070000-2	Tappo	Bouchon	Stöpsel	Plug
38	4	6.925070004-2	Tappo	Bouchon	Stöpsel	Plug
39	1	6.652400160-1	Pompa olio DX	Pompe à huile DX	Oelpumpe DX	Oil Pump DX
39	1	6.652400150-1	Pompa olio SX	Pompe à huile SX	Oelpumpe SX	Oli pump SX
40	1	6.927096055-2	Tappo	Bouchon	Stöpsel	Plug
41	2	6.925070002-2	Tappo	Bouchon	Stöpsel	Plug
42	1	6.931013004-2	Cuscinetto	Boulement	Lager	Ball bearing
43	1	6.931014000-2	Cuscinetto	Roulement	Lager	Ball bearing
44	1	6.924042108-2	Riduzione	Raccord	Anschulung	Fitting
45	6	6.1016817-8-2	Ogiva	Ogive	Dichtkegel	Ogive
46	2	6.961013001-2	Vite	Vis	Schraube	Screw
47	8	6.961021000-2	Vite	Vis	Schraube	Screw
48	2	6.961106013-2	Vite	Vis	Schraube	Screw
49	1	6.962019014-2	Ghiera di bloccaggio	Anneau de blocage	Nut Mutter	Stop ring
50	2	6.962025004-2	Dado	Ecrou	Mutter	Nut
51	20	6.962027015-2	Dado autofrenante	Ecrou de s	Mutter	Nut
52						
53	1	6.963002093-2	Linguetta	Clavette	Federkeil	Key
54	4	6.963003055-2	Anello elastico	Anneau élastique	Sicherungsring	Retaining ring
55	2	6.964001002-2	Rosetta elastica	Rondelle élastique	Federscheibe	Elastic washer
56	8	6.964001003-2	Rosetta elastica	Rondelle élastique	Federscheibe	Elastic washer
57	20	6.964007014-2	Rosetta piana	Rondelle plate	Federscheibe	Flat washer
58	1	6.964024014-2	Rosetta sicurezza	Rondelle en étoile	Nutmutter Sicherheitsscheibe	Washer for stop ring
59						
60	1	6.965038101-2	Spia livello olio	Voyant de niveau huile	Oelanzeiger	Oil level gauge
61	2	6.965041004-2	Golfaro	Cheville à oeillet	Isenschraube	Eye bolt
62						
63						
64						
65	1	6.553400810-2	Rotore	Rotor	Läufer	Rotor
66	1	6.611000771-2	Mozzo anteriore	Moyeu	Nabe	Hub
67	1	6.611000781-2	Mozzo posteriore	Moyeu	Nabe	Hub

2110-0284-0 SX
2110-0285-0 DX

HM46 VACUUM PUMP

MORO USA, INC

ST. LOUIS, MO OFFICE PITTSBURGH, PA OFFICE

PO Box 424

SALES OFFICE

Union, MO 63084

(800) 383-6304

(866) 383-6304

(412) 787-8400

Fax: (636) 583-2044

Fax: (412) 787-8444

Email: sales@morousa.com
www.morousa.com



Pos.	Q.tà	Codice	Denominazione	Nomenclature	Bezeichnung	Denomination
68	12	6.684400010-2	Tappo	Bouchon	Stöpsel	Plug
69						
70	12	6.921003503-2	Anello OR	Anneau OR	O-Ring	O-Ring
71	2	6.921003507-2	Anello OR	Anneau OR	O-Ring	O-Ring
72	12	6.961079103-2	Vite	Vis	Schraube	Screw
73	12	6.964018001-2	Spina elastica	Goujon élastique	Spannstift	Split pin
74						
75		6.889901820-1	Serie guarnizioni	Série de Joints	Dichtungset	Gasket kit
76						
77						
78						
79						
80						
81						
82						
83						
84						
85						
86						
87						
88						
89						
90						
91						
92						
93						
94						
95						
96						
97						
98						
99						
100						

2110-0284-0 SX
2110-0285-0 DX

HM46 VACUUM PUMP

MORO USA, INC

ST. LOUIS, MO OFFICE PITTSBURGH, PA OFFICE
PO Box 424 SALES OFFICE
Union, MO 63084 (800) 383-6304
(866) 383-6304 (412) 787-8400
Fax: (636) 583-2044 Fax: (412) 787-8444
Email: sales@morousa.com
www.morousa.com

