



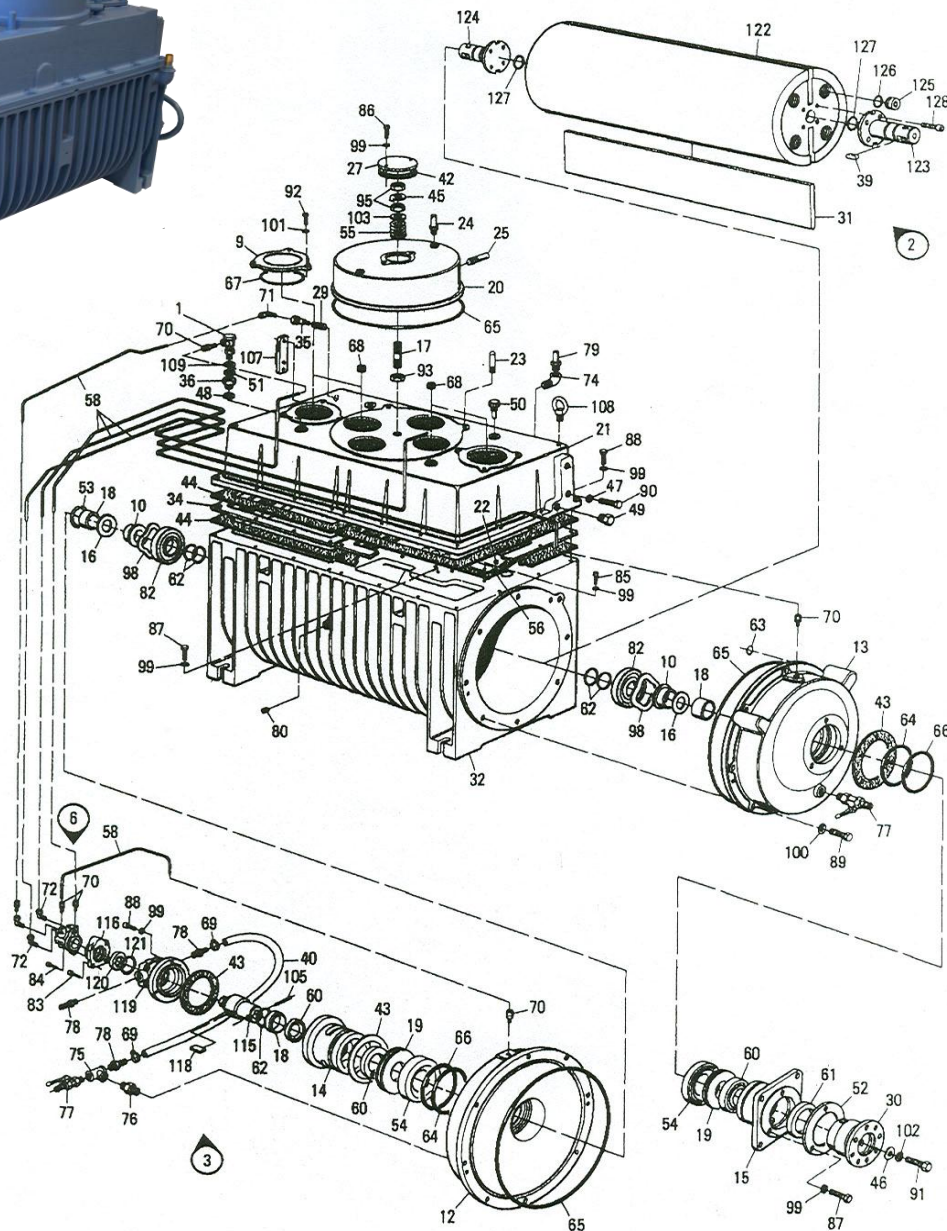
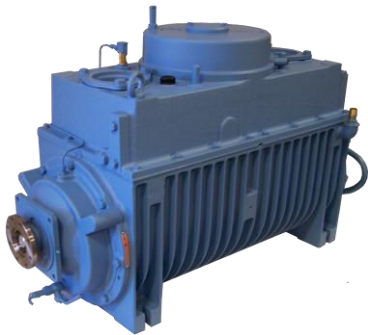
MORO USA, INC.

ST. LOUIS, MO OFFICE
 Po Box 424
 Union, MO 63084
 (866) 383-6304
 Fax: (636) 583-2044

PITTSBURGH, PA OFFICE
 SALES OFFICE
 (800) 383-6304
 (412) 787-8400
 Fax: (412) 787-8444

Email: sales@morousa.com
www.morousa.com

M9 VACUUM PUMP



M9 VACUUM PUMP

Pos.	Quantity	Part No.	Description	Pos.	Quantity	Part No.	Description
1	2	4533-0010-0	Oil Valve	63	1	92-1003-100	O-Ring
2	1	4753-0014-1	Rotor	64	2	92-1003-501	O-Ring
3	1	4812-0041-0	Water Pump	65	3	92-1003-236	O-Ring
6	1	8227-0028-0	Oil Pump SX	66	2	92-1003-502	O-Ring
6	1	8227-0029-0	Oil Pump DX	67	2	92-1003-137	O-Ring
9	2	6100-0620-1	Flange	68	4	92-5005-005	Plug
10	2	6100-0099-0	Bushing	69	2	92-2002-002	Hose Clamp
12	1	6104-0034-1	Flange	70	6	92-4063-050	Fitting
13	1	6104-0035-1	Flange	71	1	92-4019-000	Fitting
13	1	6104-0045-1	Flange	72	2	92-4061-050	Fitting
14	1	6104-0037-0	Support	74	1	92-5002-003	Elbow
15	1	6104-0039-0	Support	75	1	92-5003-001	Fitting
16	2	6830-0140-0	Spacer	76	1	92-5004-001	Nipple
17	1	6210-0009-0	Stud	77	2	92-5029-001	Valve
18	3	93-0005-023	Ring	78	3	92-5046-001	Fitting
19	2	6222-0001-0	Spacer	79	1	92-5046-003	Fitting
20	1	6264-0006-0	Change-Over Device	80	2	92-5070-000	Plug
21	1	6264-0009-1	Manifold	82	2	93-1021-002	Ball Bearing
22	2	6320-0035-0	Stop Plate	83	2	96-1006-001	Screw
23	2	6330-0000-0	Stop Plate	84	2	96-1073-003	Screw
24	1	6330-0001-0	Pin	85	8	96-1013-001	Screw
25	1	6330-0002-0	Pin	86	2	96-1013-002	Screw
27	1	6404-0001-0	Flange	87	11	96-1013-003	Screw
28	2	6405-0002-0	Plug	88	23	96-1013-004	Screw
29	1	6445-0000-0	Filter	89	16	96-1021-001	Screw
30	1	6560-0003-0	Hub	90	2	96-1021-000	Screw
31	2	6575-0059-2	Vane	91	1	96-1050-000	Screw
32	1	6624-0045-0	Housing	92	6	96-1024-002	Screw
32	1	6624-0046-0	Housing	93	1	96-2006-001	Nut
34	2	6710-0081-0	Plate	95	2	96-2008-001	Nut
35	1	6730-0025-0	Fitting	98	2	96-3005-000	Ring
36	2	92-4042-120	Reduction	99	44	96-4001-002	Spring Washer
39	1	6750-0001-0	Key	100	16	96-4001-003	Spring Washer
40	1	6760-0000-0	Tube	101	6	96-4001-004	Spring Washer
42	1	6806-0000-0	Cover	102	1	96-4001-007	Spring Washer
43	3	6806-0002-0	Cover	103	1	96-4007-006	Washer
44	4	6806-0008-0	Cover	105	1	96-4018-009	Split Pin
45	1	6830-0000-0	Washer	107	1	96-5038-102	Oil Level Gauge
46	1	6830-0001-0	Washer	108	2	96-5041-003	Eye Nut
47	2	6833-0001-0	Washer	109	2	6833-0007-0	Washer
48	3	6833-0002-0	Washer	115	1	4733-0002-0	Rotor
49	1	92-5029-015	Plug	116	1	6104-0018-0	Support
50	2	6845-0000-0	Plug	118	1	6575-0050-0	Vane
51	2	6833-0003-0	Washer	119	1	6624-0054-0	Housing
52	1	6850-0055-0	Ring	120	1	92-1000-001	Ring
53	1	6850-0056-0	Spring Washer	121	1	92-1003-062	O-Ring
54	2	6855-0004-0	Oil Seal	122	1	5534-0087-1	Rotor
55	1	6900-0000-0	Spring	123	1	6110-0089-0	Hub
56	4	6900-0021-0	Vane	124	1	6110-0090-0	Hub
58	1	8227-0009-1	Tubing	125	8	6844-0001-0	Plug
58	1	8227-0010-1	Tubing	126	8	92-1003-503	O-Ring
60	3	92-1002-000	Oil Seal	127	2	92-1003-504	O-Ring
61	1	92-1002-001	Oil Seal	128	12	96-1077-005	Screw
62	5	92-1003-500	O-Ring			8899-0111-0	Kit of Gaskets M9